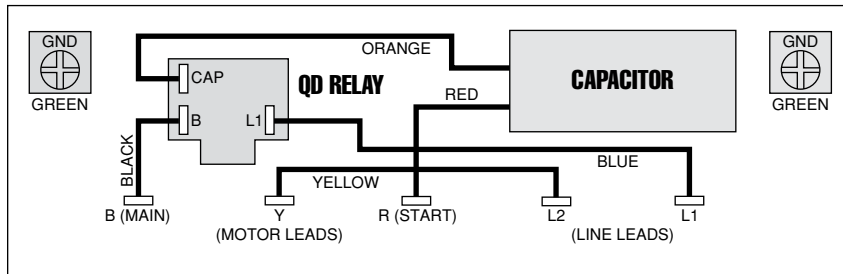
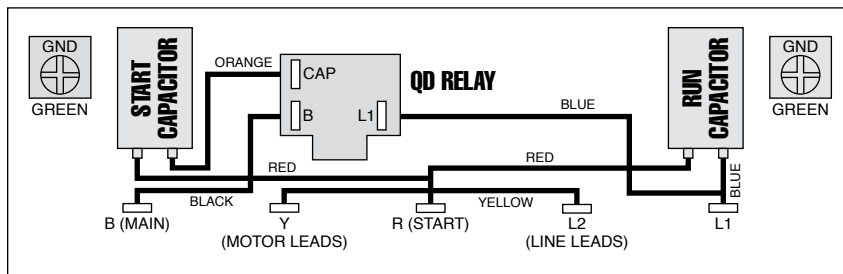




**Control Box Wiring Diagrams**



**1/3 - 1 hp QD RELAY**  
280 10\_ 4915  
Sixth digit depends on hp

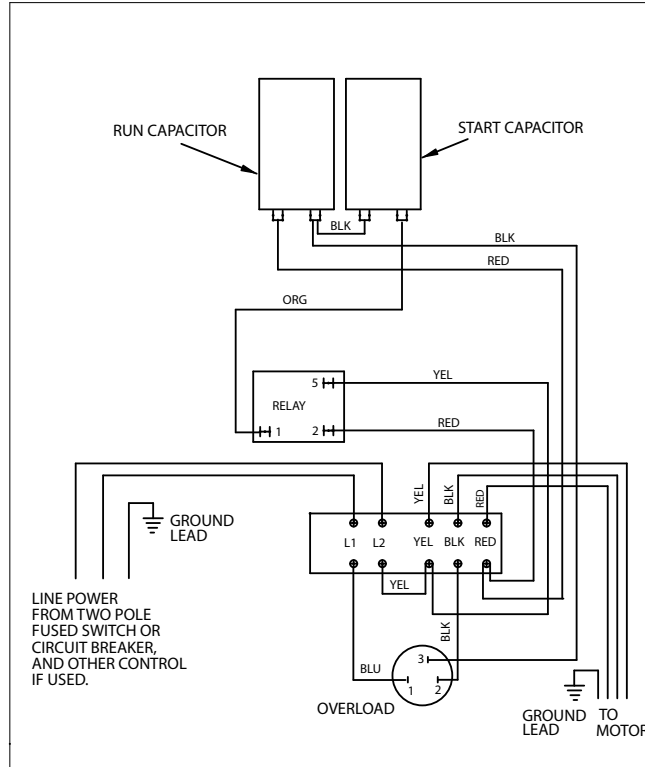


**1/2 - 1 hp CRC QD RELAY**  
282 40\_ 5015  
Sixth digit depends on hp



# MAINTENANCE

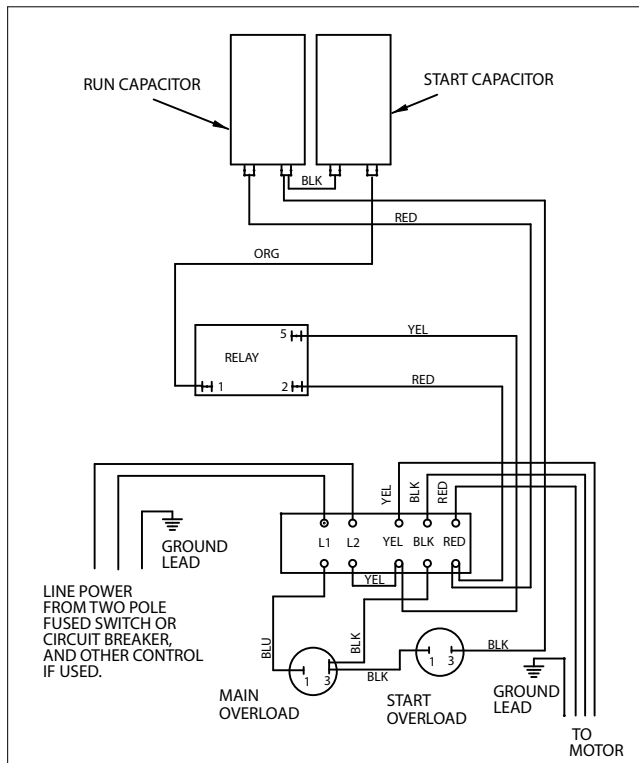
# Single-Phase Motors & Controls



**1 - 1.5 hp**

**282 300 8110**

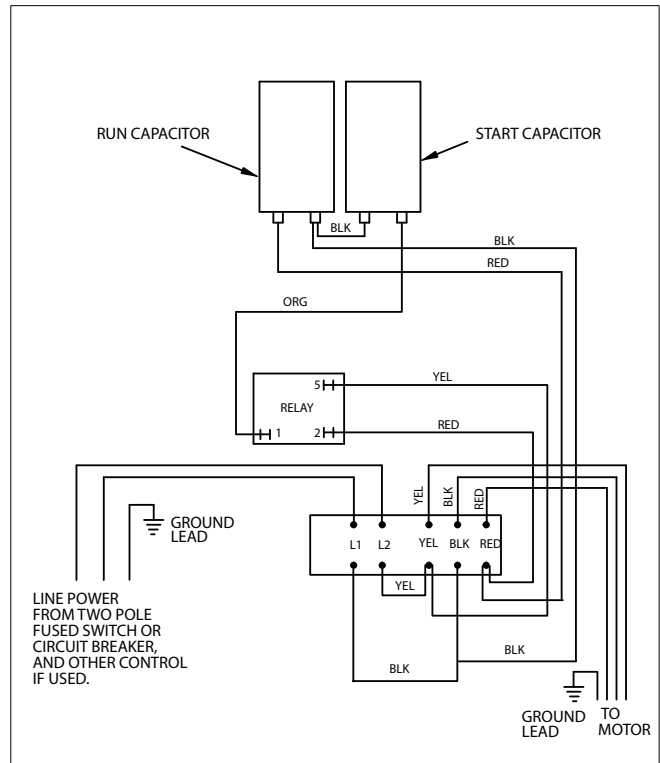
(Date Codes 11C19 & Older)



**1 - 1.5 hp**

**282 300 8110**

(Date Codes 11C19 & Newer)



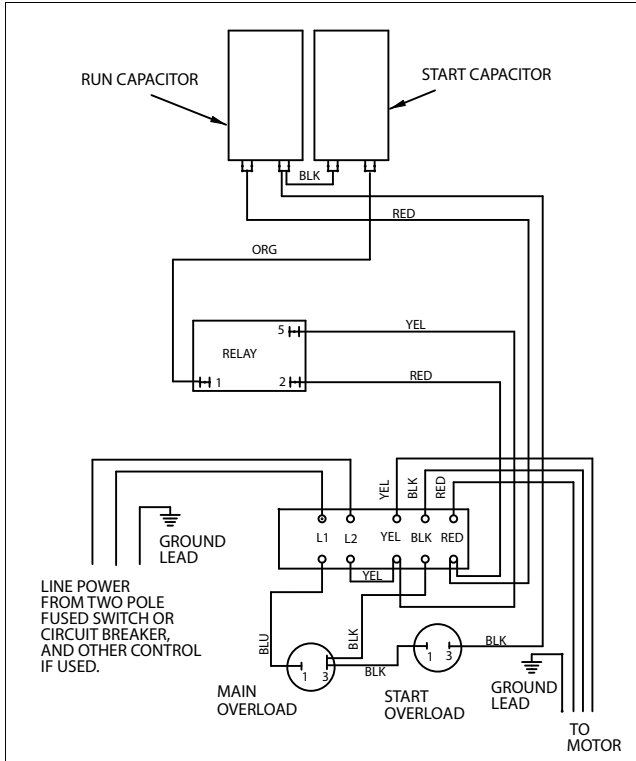
**1 - 1.5 hp**

**282 300 8610**

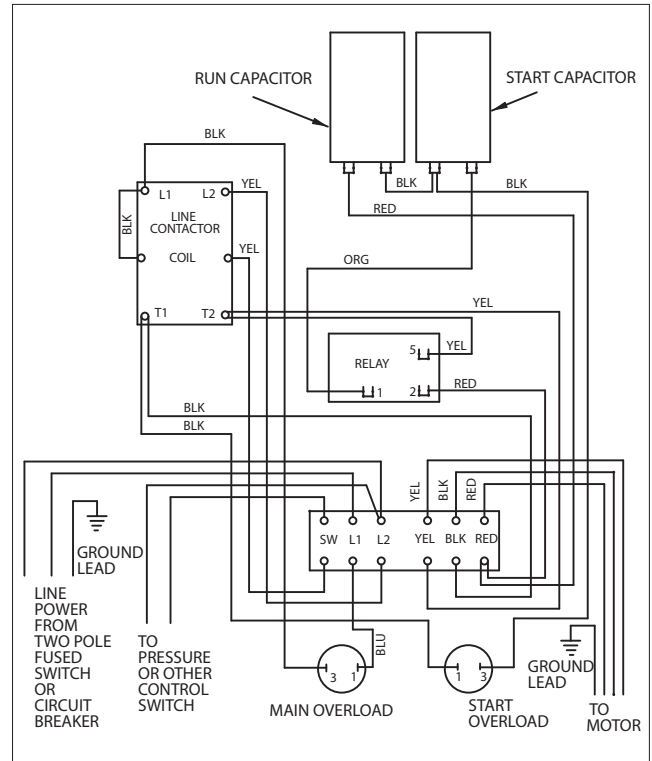


# MAINTENANCE

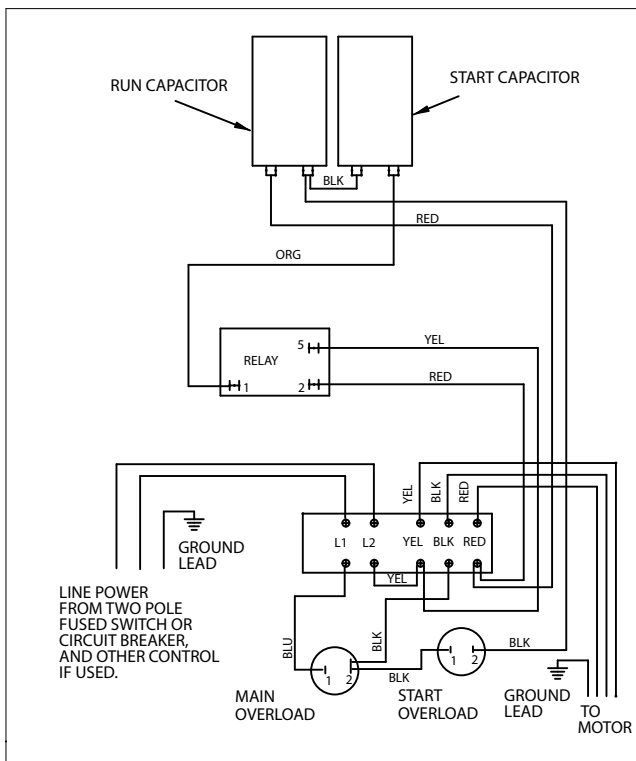
## Single-Phase Motors & Controls



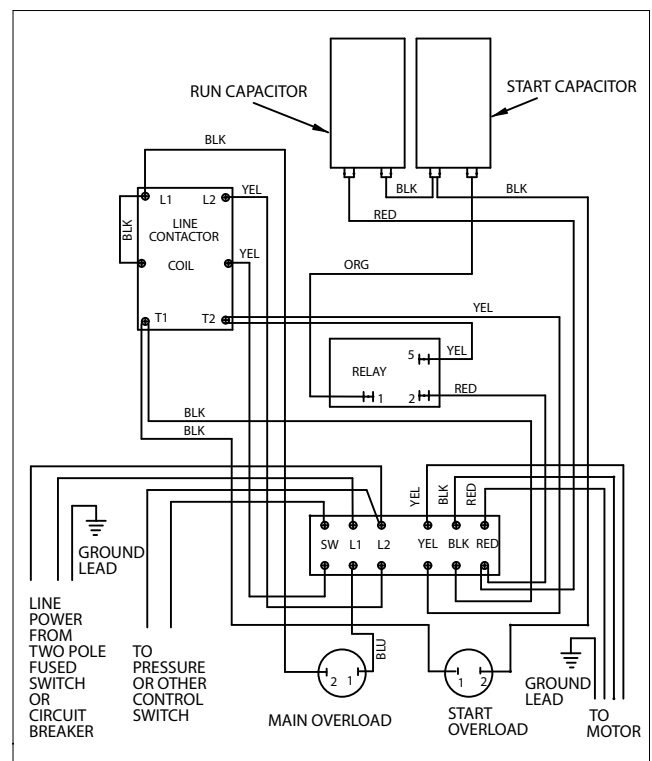
**2 hp STANDARD**  
282 301 8110



**2 hp DELUXE**  
282 301 8310



**3 hp STANDARD**  
282 302 8110

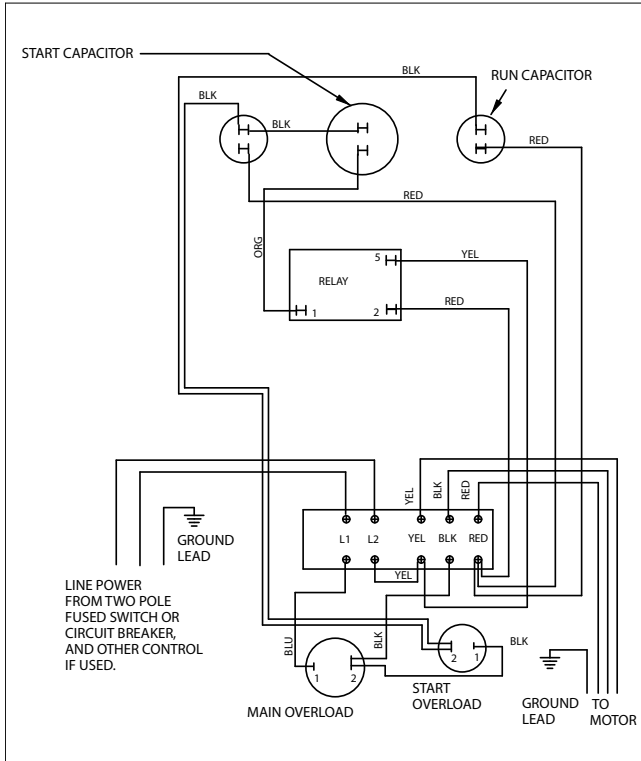


**3 hp DELUXE**  
282 302 8310



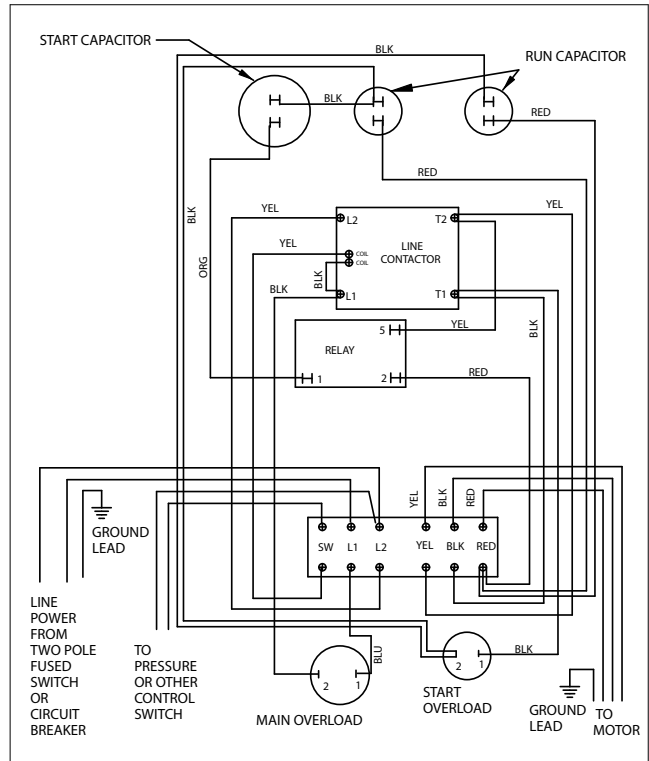
# MAINTENANCE

# Single-Phase Motors & Controls



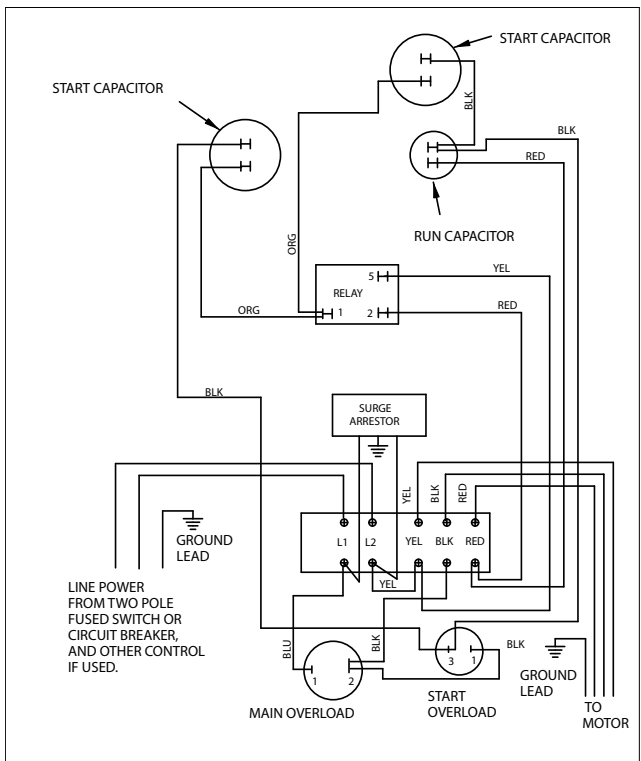
### 5 hp STANDARD

282 113 8110



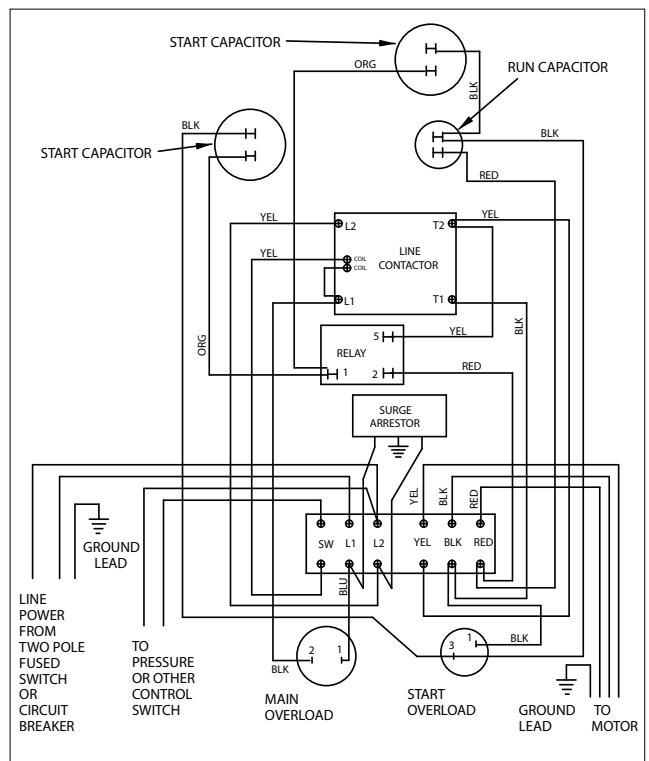
### 5 hp DELUXE

282 113 8310 or 282 113 9310



### 7.5 hp STANDARD

282 201 9210



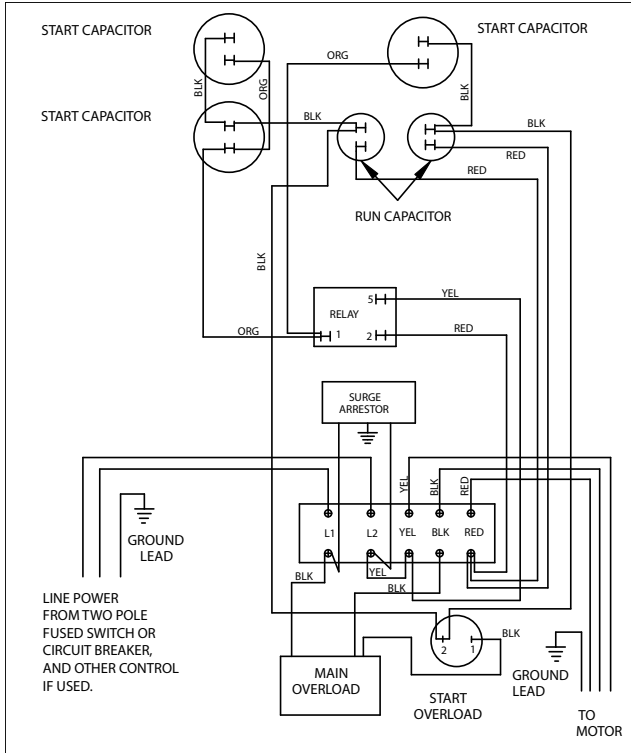
### 7.5 hp DELUXE

282 201 9310

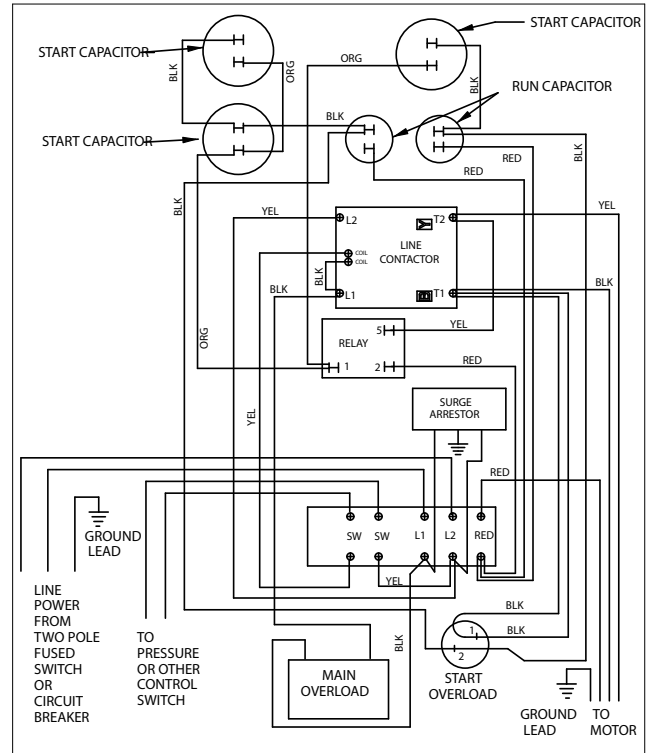


# MAINTENANCE

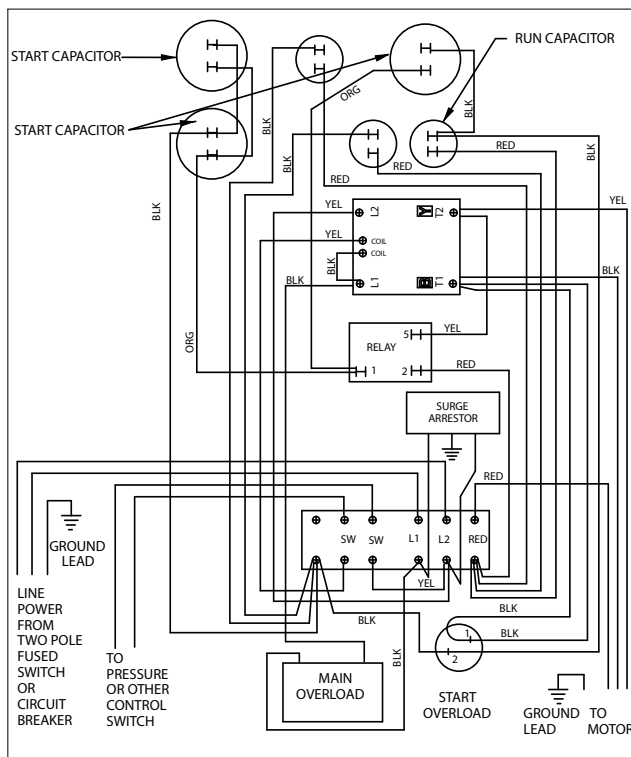
# Single-Phase Motors & Controls



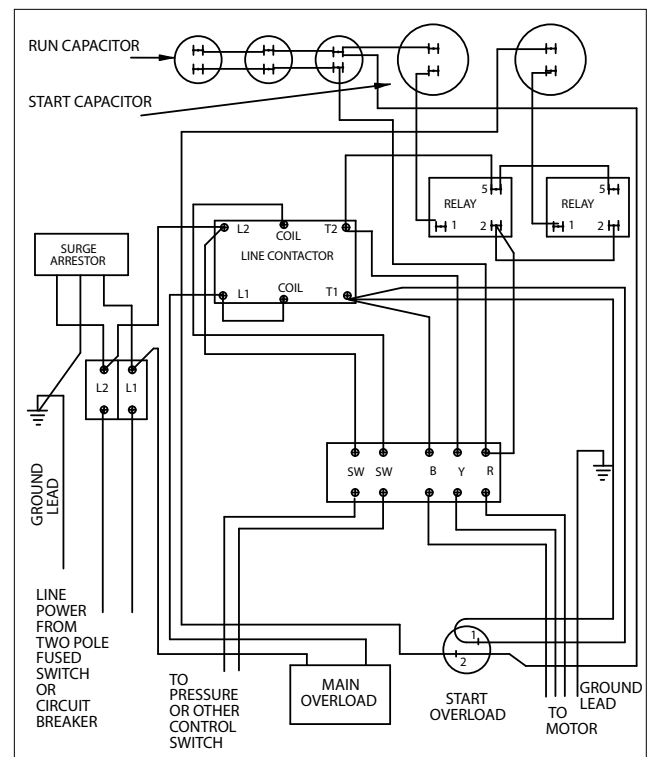
**10 hp STANDARD**  
282 202 9210 or 282 202 9230



**10 hp DELUXE**  
282 202 9230 or 282 202 9330



**15 hp DELUXE**  
282 203 9310 or 282 203 9330



**15 hp X-LARGE**  
282 203 9621