

# SUBDRIVE INLINE 1100

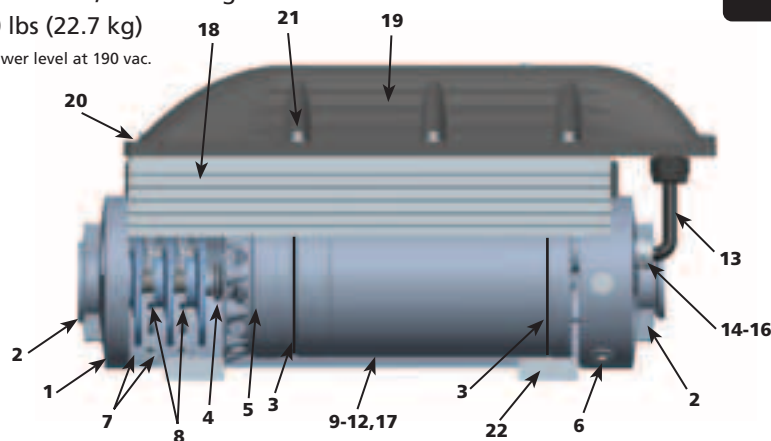
## CONSTANT PRESSURE SYSTEM

For Constant Water Pressure

### Technical Information:

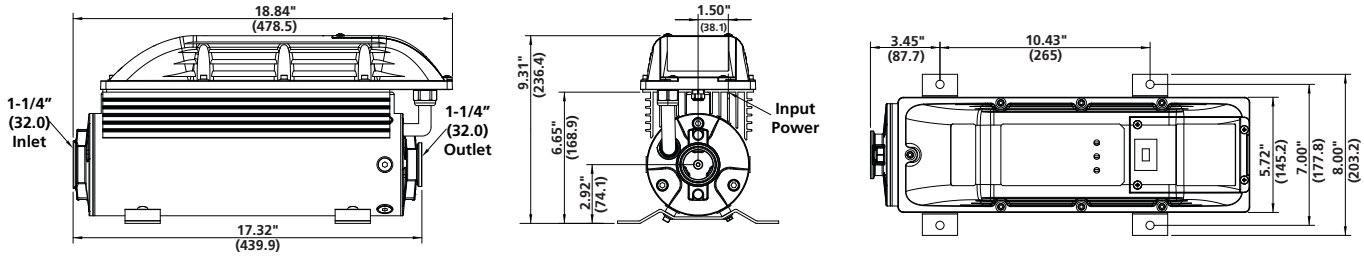
- Flow range:** Up to 35 gpm (135 lpm)
- Product power rating:** 1.2 hp (0.9 kW)
- Minimum incoming pressure:** 3 – 5 psi (0.2 – 0.3 bar)
- Minimum incoming flow and cisterns:** flooded suction without water vortexing
- Maximum incremental pressure boost:** 60 psi (4.1 bar)
- Maximum ambient operating temp:** Continuous operation – 104 °F (40 °C)
- Maximum fluid operating temp:** 104 °F (40 °C)
- Incoming voltage:** 190 – 260 vac\*
- Frequency:** 50/60 Hz
- Operating frequency range:** 20 – 63 Hz
- Current (maximum):** 12 Amps (rms)
- Pressure setting from factory:** 50 psi (3.4 bar)
- Pressure adjustment range:** 25 – 80 psi (1.7 – 5.5 bar)
- Relative humidity:** 0 – 100%, condensing
- Shipping weight:** 50 lbs (22.7 kg)

\*Drive will operate at reduced power level at 190 vac.

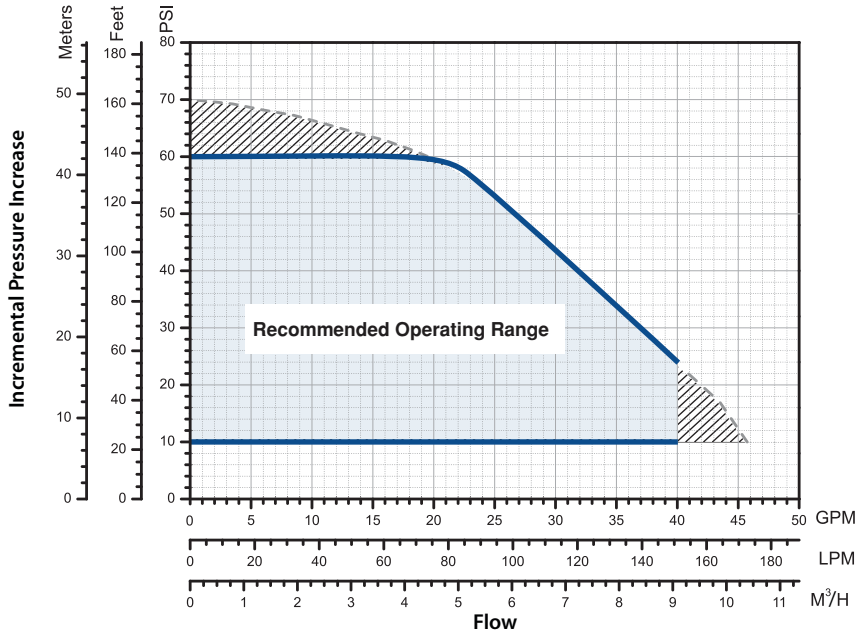


Item	Description	Comment
1	Outer Shell	300 Series SS — 1.5 mm thick
2	Suction/Discharge	304 SS Casting. 1.25" NPT thread. Integrated ears to be able to hold other types of flanges if required
3	O-Rings	NBR-Nitrile Buna Rubber — Temp. rated to 104 °F (40 °C)
4	Pump Mechanical Seal	Carbide/Ceramic/Buna Rubber Seals
5	Internal Motor Seal	Silicon/Carbide/Buna Rubber Seals
6	Outer Shell Screws and Inserts	316 SS
7	Pump Hydraulics	i.e. Impellers, Diffusers, Bowls — 316 SS
8	Floating Seal Rings	PTFE
9	Motor	Dry Design
10	Motor Bearings	Ball Bearing Type — 6202 double sealed on discharge end, 6303 — suction side — double sealed All pre-greased and rated to 104 °F (40 °C)
11	Motor Shaft	304 SS
12	Motor Insulation	Class - F - IP68 rated
13	Motor Lead	14 Ga SJOOW
14	Motor Cable Gland	CuZn — Nickel plated brass
15	Motor Lead Washers	304 SS
16	Motor Lead Rubber Seal	Nitrile
17	Oil Chamber (Motor)	Filled with medical grade white oil — Marcol 82
18	Heat Sink	Die cast aluminum
19	Drive Enclosure Material	Polycarbonate (Flame Retardant, UL 94 V-0)
20	Drive Gaskets	Close Cell Foam Nitrile Rubber
21	Drive Fasteners	304 SS
22	Mounting Base	300 Series SS
N/A	Shaft Coupling	304 SS (Not Shown)

## Dimensions



## Performance Curve



**NOTE:** Running outside of 'Recommended Operating Range' for short periods of time is permissible.

## Ordering Information

Model Description	Order No.	Input Voltage	Input Phase
25SDIL1100N4 <sup>1</sup> (NPT)	90401101	230	Single
25SDIL1100N4-B <sup>1</sup> (BSP)	90401102	230	Single
Drive Assembly	305707901	230	Single
Pump Motor Assembly (NPT)	305707902	230	Single
Pump Motor Assembly (BSP)	305707911	230	Single
Mounting Feet	305707903	N/A	N/A
Pressure Switch	305707906	N/A	N/A
Pressure Tank (2-gallon)	305707910	N/A	N/A
Fastener Kit	305707904	N/A	N/A
Pressure Switch Cable	305707905	N/A	N/A
Overpressure Switch <sup>2</sup>	305707909	N/A	N/A
Overpressure Switch Cable <sup>2</sup>	305707908	N/A	N/A
Overpressure Switch & Cable Combo <sup>2</sup>	305707912	N/A	N/A

<sup>1</sup> Includes pump, motor, drive, pressure switch, and all cables.

<sup>2</sup> Overpressure switch is sold as an accessory and is not required for normal operation.



**Franklin Electric**

400 East Spring Street, Bluffton, Indiana 46714  
Tel: 260.824.2900 • Fax: 260.824.2909

[www.franklin-electric.com](http://www.franklin-electric.com)

